

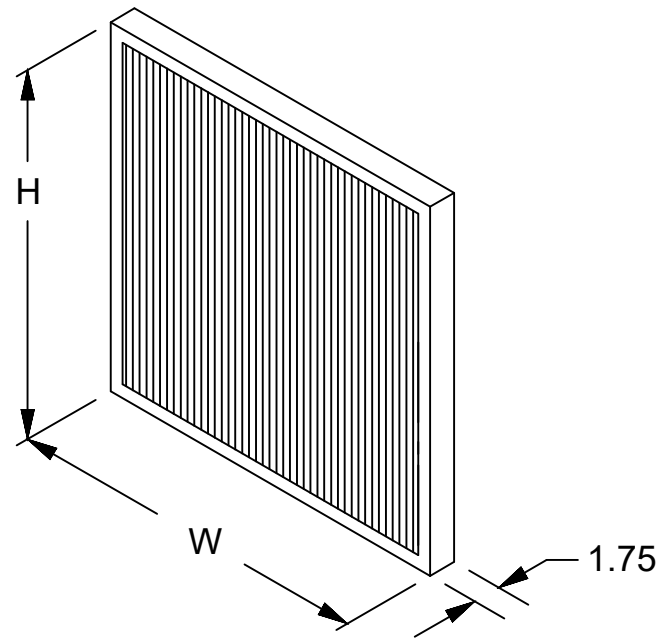
| Nominal Size<br>W x H x D<br>(in) | Actual Size<br>W x H x D<br>(in) | Part Number  | Capacity<br>(CFM) | Resistance<br>(in W.G.) | Media Area<br>(sq ft) | Carton Qty | Weight per<br>Carton (lbs) |
|-----------------------------------|----------------------------------|--------------|-------------------|-------------------------|-----------------------|------------|----------------------------|
| 24 x 24 x 2                       | 23-3/8 x 23-3/8 x 1-3/4          | 120-622-2424 | 2000              | 0.40                    | 38                    | 6          | 23                         |
| 25 x 20 x 2                       | 24-3/8 x 19-3/8 x 1-3/4          | 120-622-2520 | 1750              | 0.40                    | 33                    | 6          | 20                         |
| 20 x 24 x 2                       | 19-3/8 x 23-3/8 x 1-3/4          | 120-622-2024 | 1675              | 0.40                    | 32                    | 6          | 20                         |
| 20 x 20 x 2                       | 19-3/8 x 19-3/8 x 1-3/4          | 120-622-2020 | 1400              | 0.40                    | 26                    | 6          | 16                         |
| 18 x 24 x 2                       | 17-3/8 x 23-3/8 x 1-3/4          | 120-622-1824 | 1500              | 0.40                    | 28                    | 6          | 18                         |
| 18 x 20 x 2                       | 17-3/8 x 19-3/8 x 1-3/4          | 120-622-1820 | 1250              | 0.40                    | 23                    | 6          | 15                         |
| 25 x 16 x 2                       | 24-3/8 x 15-3/8 x 1-3/4          | 120-622-2516 | 1400              | 0.40                    | 26                    | 6          | 16                         |
| 16 x 24 x 2                       | 15-3/8 x 23-3/8 x 1-3/4          | 120-622-1624 | 1350              | 0.40                    | 25                    | 6          | 16                         |
| 16 x 20 x 2                       | 15-3/8 x 19-3/8 x 1-3/4          | 120-622-1620 | 1125              | 0.40                    | 21                    | 6          | 13                         |
| 14 x 20 x 2                       | 13-3/8 x 19-3/8 x 1-3/4          | 120-622-1420 | 975               | 0.40                    | 19                    | 6          | 12                         |
| 12 x 24 x 2                       | 11-3/8 x 23-3/8 x 1-3/4          | 120-622-1224 | 1000              | 0.40                    | 19                    | 12         | 24                         |

**Standard Construction:**

1. Synthetic Media
2. Hotmelt Adhesive Media Separators
3. HIPS Frame - Black

**Specifications:**

1. Efficiency: Per ASHRAE 52.2-2017 standard
2. Final Resistance: 1.5" W.G.
3. Rated Velocity: 500 FPM
4. Classified per UL Standard 900
5. Maximum Operating Temperature: 150 degrees F (66 C)
6. Tolerance: Height & Width - +/- 1/8"
7. Tolerance: Depth - +/- 1/16"



**Micromax PL2S  
MERV 14**

REV  
LTR

REVISION

BY /  
DATE

8401 Air Commerce Drive - Louisville KY 40219  
Phone: (502) 634-4796 FAX: (502) 637-2280

Drawn By: Brent Chamberlain  
Date: July 7, 2022

Revision